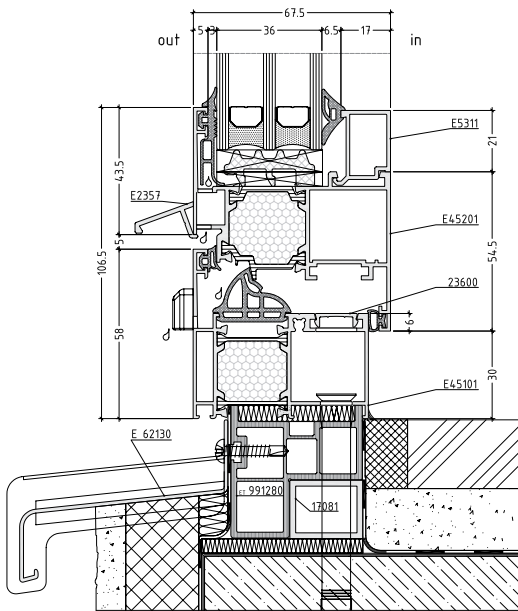




5
4
E

OPENING WINDOW AND DOOR
SYSTEM WITH THERMAL BREAK

ELEGANT STRAIGHT OR CURVED LINE SOLUTIONS WITH 60 mm STRAIGHT LINE WIDTH OR 67.5 mm CURVED LINE WIDTH



FEATURES

$U_w = 1.2 \text{ W/m}^2\text{K}$

Sashes for PVC hardware which enable:
multiple locks, hinges adjustment and fast installation

EPDM gasket for superior thermal insulation,
drainage and air impermeability

Double glazing from 18 mm up to 49 mm

Hidden vent solution

E45

OPENING WINDOW
AND DOOR SYSTEM
WITH THERMAL BREAK

DESIGN

NEW ELEGANT SERIES WITH
CONCEALED SASH

MULTIPLE VARIATIONS OF DOOR FINISHING
AT FLOOR LEVEL

COMPLEMENTARY PROFILES ENABLING
A WIDE RANGE OF CONFIGURATIONS

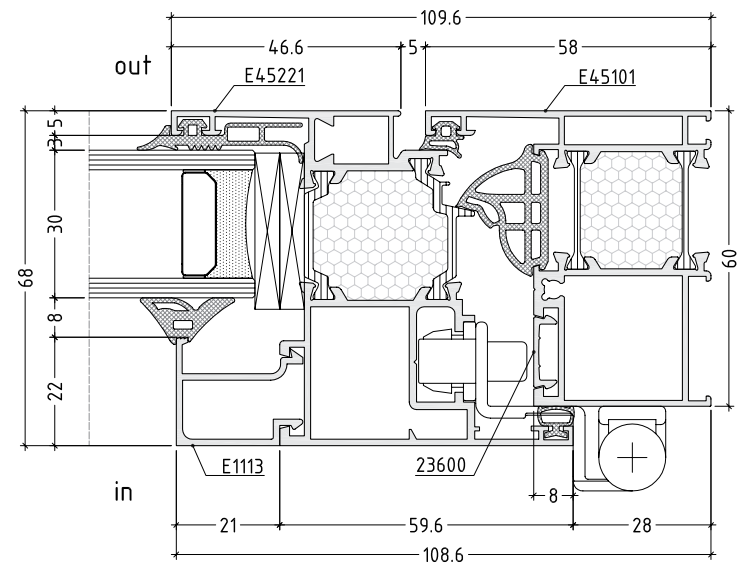
DETAILS

Optimized for the highest structural stability whilst
using a lower amount of aluminium content

Profile reinforcement at load bearing points

Opening elements - opening at vertical axis, tilt and
turn, opening at top or bottom horizontal axes, folding
doors, parallel sliding

Reliable horizontal and vertical mechanisms



etem.com